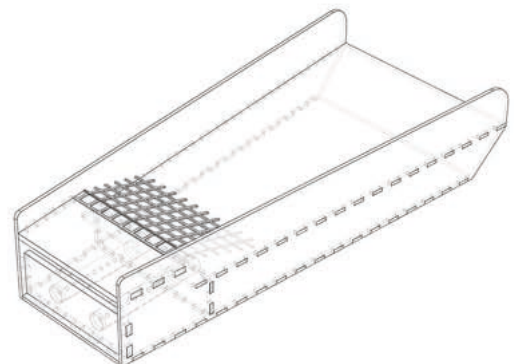
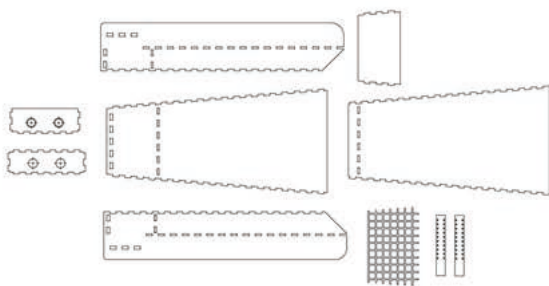
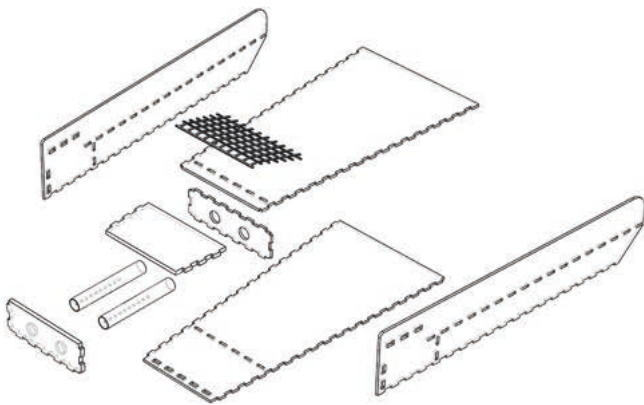
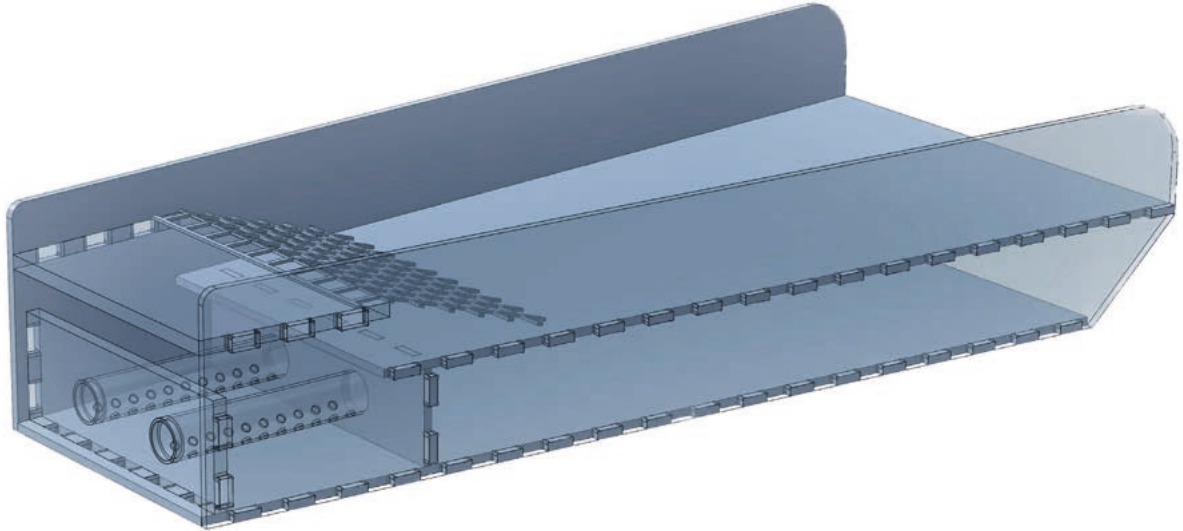


# DIY MINI FLUID BED SLUICE

length 400 mm / height 80 mm / for construction use the DXF file



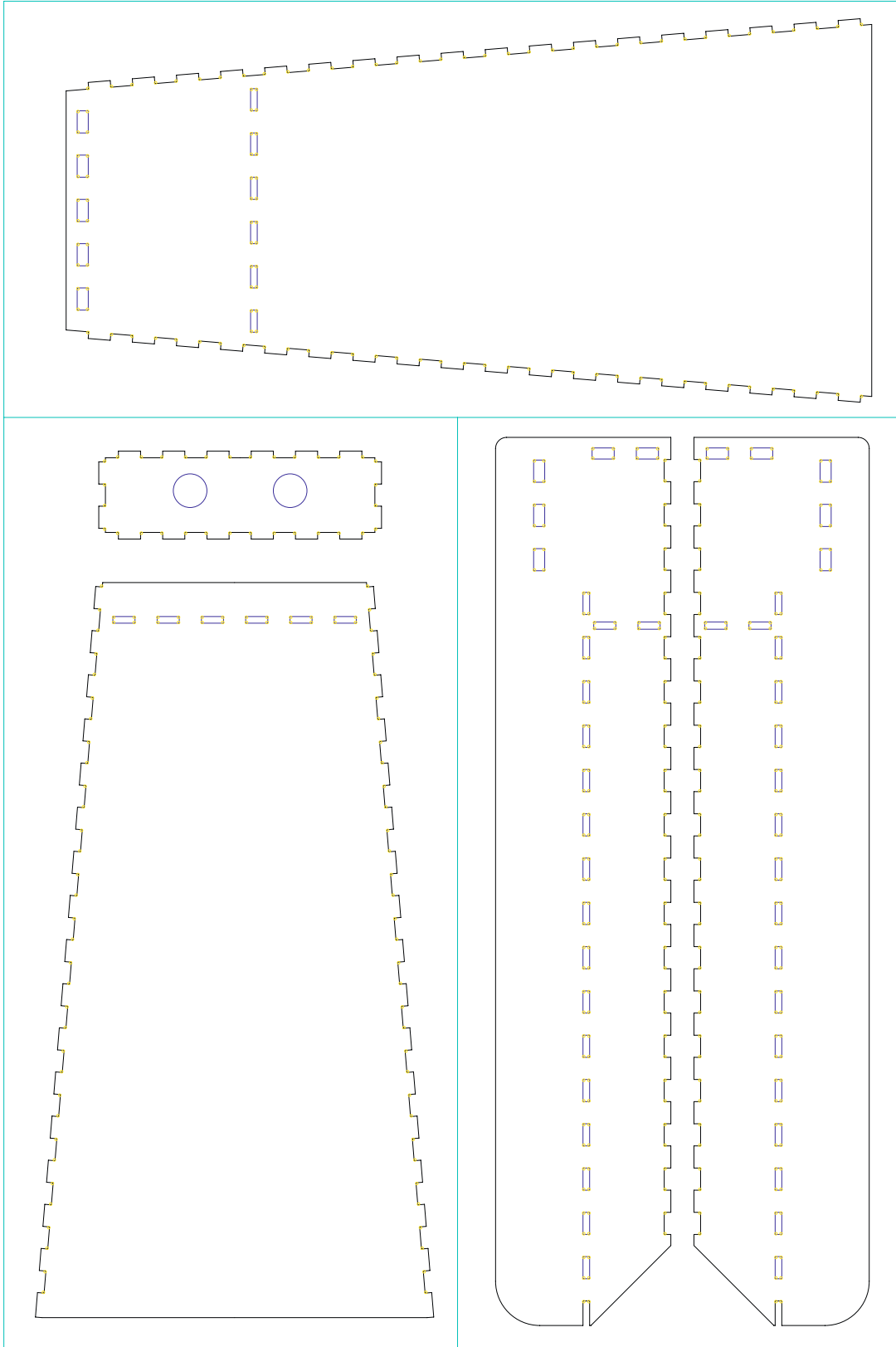
Print out the labels and stick them to the tubes.

You can now easily drill the holes. Remove the labels before inserting them into the sluice.



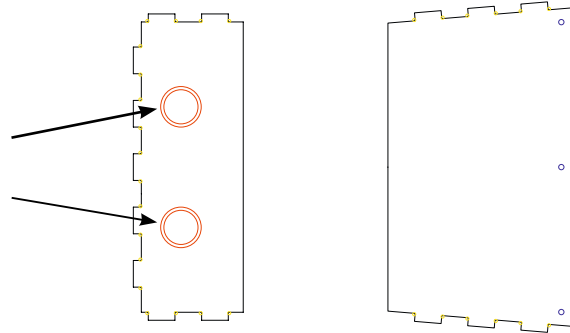
I've used 3mm ABS plastic for the corpus and 5 mm acrylic for the grizzly top and front plate to be able to see inside the trap.

3mm ABS plastic sheet  
(the drawing is scaled down to fit the page  
use the DXF file for construction)

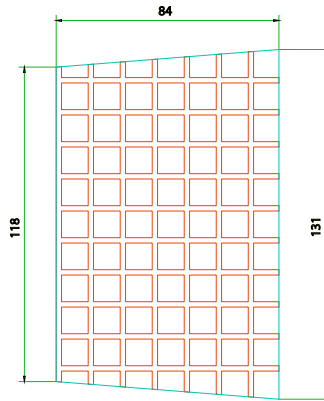


5mm acrylic  
(the drawings are scaled down to fit the page  
use the DXF file for construction)

mill two pockets  
3.5mm deep into the  
acrylic for the tubes



aluminum mesh



labels for 15mm tubes

